



GT17

GT17

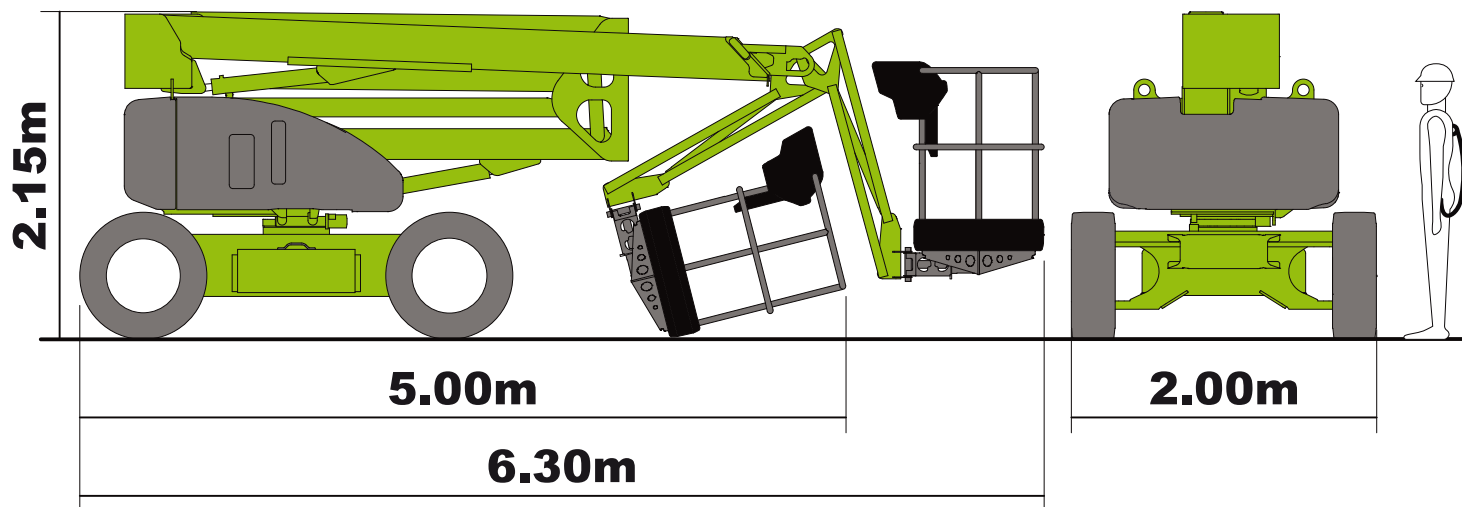
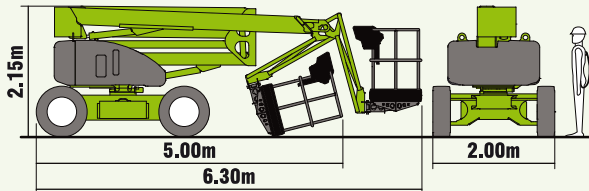
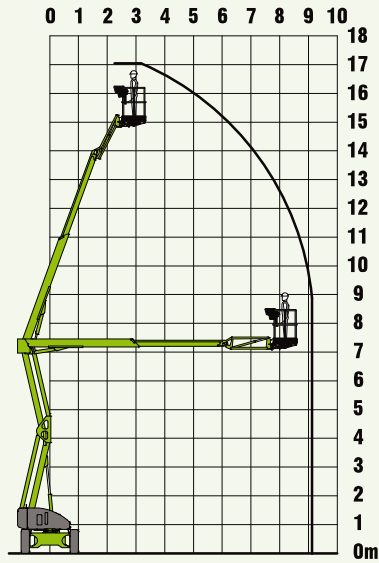
Gelenk-
Telebühne
GT17

SPECIFICATIONS

Working Height	17.00m	56ft
Platform Height	15.00m	49ft 6in
Working Outreach	9.10m	30ft
Slew	360°	
Fly-Boom Arc	150°	
Width	2.00m	6ft 7in
Height	2.15m	7ft
Length - Stowed	5.00m	16ft 5in
- Overall	6.30m	21ft 4in
Minimum Weight	4,750kg*	10,500lbs*
Turning Radius - Outside	3.70m	12ft 2in
Platform Rotation	100°	
Platform Capacity	225kg	500lbs
Platform Size	1.80m x 0.85m	5ft 11in x 2ft 9in
Drive Speed - 4x4	5.5kmph	3.4mph
Gradeability	40% (22°)	
Hybrid Power System	Battery & Diesel (Kubota 722 - 18Hp/14kW)	

* Weights may vary according to specification, please confirm before ordering.

Due to a policy of continuing development and improvement, Niftylift reserves the right to change any specification without notice. Please confirm exact specification before ordering.



0 1 2 3 4 5 6 7 8 9 10

18

17

16

15

14

13

12

11

10

9

8

7

6

5

4

3

2

1

0

